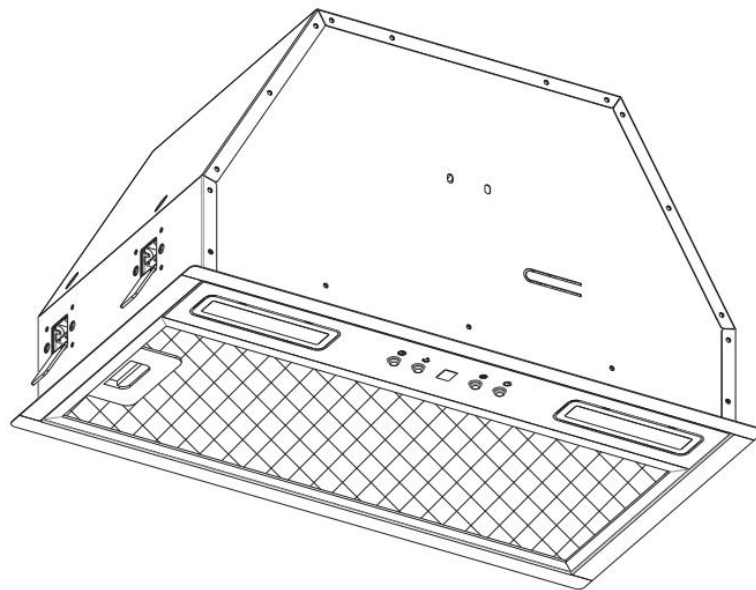




Range Hood Instruction Manual



PPS5200 SI

Content

1.....	Safety instructions
2.....	Installation
3.....	Start using your range hood
4.....	Troubleshooting
5.....	Maintenance and cleaning
6.....	Environment protection

SAFETY INSTRUCTIONS

This manual explains the proper installation and use of your range hood, please read it carefully before using even if you are familiar with the product. The manual should be kept in a safe place for future reference.

Never to do:

- Do not try to use the range hood without the grease filters or if the filters are excessively greasy!
- Do not install above a cooker with a high level grill.
- Do not leave frying pans unattended during use because overheated fats or oils might catch fire.
- Never leave naked flames under the range hood.



- If the range hood is damaged, do not attempt to use.
- Do not flambé under the range hood.
- **CAUTION:** Accessible parts may become hot when used with cooking appliances.
- The minimum distance between the supporting surface for the cooking vessels on the hob and the lowest part of the range hood is 65 cm. (When the range hood is located above a gas appliance, this distance shall be at least 75 cm)
- The air must not be discharged into a flue that is used for exhausting fumes from appliances burning gas or other fuels.



Always to do:

- **Important!** Always switch off the electricity supply at the mains during installation and maintenance such as light bulb replacement.
- The range hood must be installed in accordance with the installation instructions and all measurements followed.
- All installation work must be carried out by a competent person or qualified electrician.
- Please dispose of the packing material carefully. Children are vulnerable to it.
- Pay attention to the sharp edges inside the range hood especially during installation and cleaning.
- Make sure the ducting has no bends sharper than 90 degrees as this will reduce the efficiency of the range hood.
- **Warning:** Failure to install the screws or fixing device in accordance with these instructions may result in electrical hazards
- **Warning:** Before obtaining access to terminals, all supply circuits must be disconnected.

Always to do:

- Always put lids on pots and pans when cooking on a gas cooker.
- When in extraction mode, air in the room is being removed by the range hood. Please make sure that proper ventilation measures are being observed. The range hood removes odours from room but not steam.
- Range hood is for domestic use only.



- If the supply cord is damaged, it must be replaced by the manufacturer, its service agent or similarly qualified persons in order to avoid a hazard.
- This range hood can be used by children aged from 8 years and above and persons with reduced physical, sensory or mental capabilities or lack of experience and knowledge if they have been given supervision or instruction concerning use of the range hood in a safe way and understand the hazards involved. Children shall not play with the range hood. Cleaning and user maintenance shall not be made by children without supervision.



- **Warning:** Before obtaining access to terminals, all supply circuits must be disconnected.

Always to do:

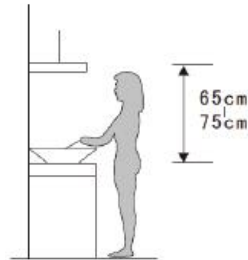
- **Caution:** The range hood and its accessible parts can become hot during operation. Be careful to avoid touching the heating elements. Children younger than 8 years old should stay away unless they are under permanent supervision.
- There shall be adequate ventilation of the room when the range hood is used at the same time as appliances burning gas or other fuels.
- There is a fire risk if cleaning is not carried out in accordance with the instructions
- Regulations concerning the discharge of air have to be fulfilled.
- Clean your range hood periodically by following the method given in the chapter MAINTENANCE.
- For safety reason, please use only the same size of fixing or mounting screw which are recommended in this instruction manual.
- Regarding the details about the method and frequency of cleaning, please refer to maintenance and cleaning section in the instruction manual.
- Cleaning and user maintenance shall not be made by children without supervision.
- When the range hood and appliances supplied with energy other than electricity are simultaneously in operation, the negative pressure in the room must not exceed 4 Pa (4 x 10⁻⁵ bar).

- **WARNING:** Danger of fire: do not store items on the cooking surfaces.
- A steam cleaner is not to be used.

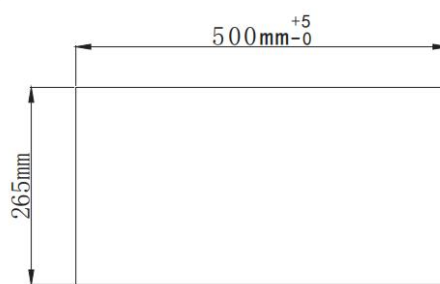
- **NEVER** try to extinguish a fire with water, but switch off the appliance and then cover flame e.g. with a lid or a fire blanket.

INSTALLATION (VENT OUTSIDE)

1. The range hood should be placed at a distance of 65-75cm from the cooking surface for the best effect.

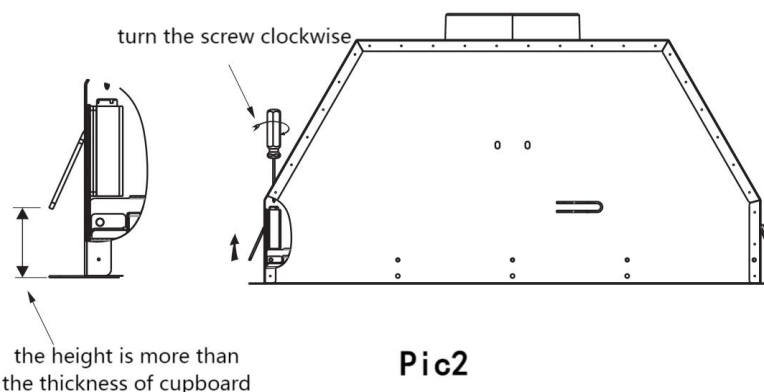


1. Drill a hole in the cupboard, with hole wide 500*265 (mm) for model 52CM. See pic1. Make sure the distance between the edge of the hole and the edge of the cabinet edge is at least 35mm. The thickness of cupboard should be limited at 15-25mm for the best effect.



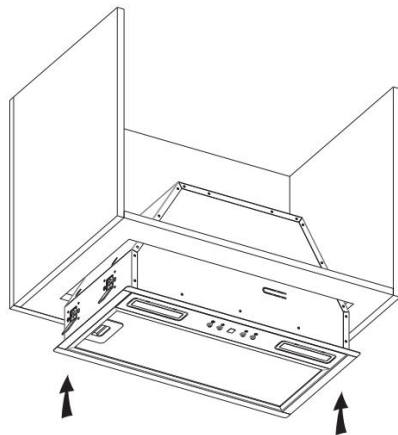
model 52CM
Pic1

2. Use screwdriver to turn the buckle screw clockwise, then the buckle will move up. You can adjust buckle to suitable position. See pic2.

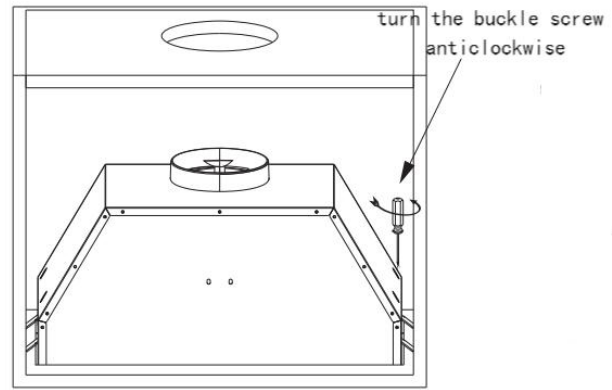


Pic2

3. Put the hood into the cabinet, and then use screwdriver to turn the four buckle screws anticlockwise separately until the panel of hood fit to the cabinet horizontally and make sure the hood is secured. See pic3&4.

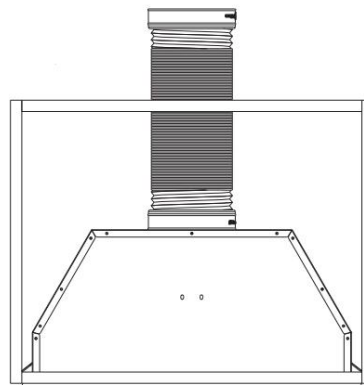


Pic3




Pic4

4. Fix the expansion pipe on the outlet and lead it to outdoor. Note: the expansion pipe is not included in the product. See pic 5.

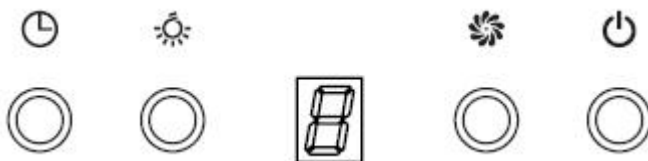


Pic5

<p>WARNING:</p> 	<ul style="list-style-type: none"> ➤ For safety reason, please use only the same size of fixing or mounting screw which are recommended in this instruction manual. ➤ Failure to install the screws or fixing device in accordance with these instructions may result in electrical hazards.
--	--



Start Using Your Range Hood

Electronic button




1. Power-on: After connecting the range hood to the main supply, the backlight of all buttons will turn on and the buzzer sounds for once. The LED display is closed. The range hood doesn't work and enters into stand-by mode.


2.  (Lamp) button:

Press  (Lamp) button, the lights will be on. Press again, the lights will be off. The above steps can be repeated operating. The lamp function could be operated without pressing the  (Power) button.

3.  (Power) button:


3.1 Press  (Power) button, the range hood starts to work at the low speed and the LED display will display "1". Press again, the range hood will stop. The range hood speeds can only be adjusted when starting the power button.


3.2 After switching off the speeds of range hood by power button, when press the power button again to start-up the hood, motor will work at the speed before the last exit.

4.  (Speed) button:

The range hood has three speed levels, they are low, mid, high, and the corresponding LED display will be "1", "2", "3".

4.1 After switching on the power button, the hood starts to work at low speed and the LED display will display "1".

4.2 Press  (Speed) button again when it works at low speed, the range hood works at mid speed and the LED display will display "2".

4.3 Press  (Speed) button again when it works at mid speed, the range hood at the high speed and the LED display will display "3".

4.4 During the working, you can touch  (Speed) button to change the speed circularly: "low→mid→high→low→mid……"


5.  (Timer) button:

The timer button is only used for the timer function when the range hood is working. (Press the button will be invalid when the hood is under standby mode or open the lamp separately).

5.1 Press the timer button, the hood enter into the timer function. The timer setting is 9mins and the display shows "9".

5.2 After the timing function starts, the display shows "9", "8", "7"..., decreasing by minute. After the timing is completed, the motor will automatically cut off the power immediately and the motor output will be turned off. The lights are off at the same time.

5.3 Press the timer button once to enter the timer function. Press again to exit the timer function. The above steps can be operated repeatedly. In the timing state,

pressing the speed button  will automatically exit the timing function.

TROUBLESHOOTING

Fault	Possible Cause	Solution
Light on, but motor does not work	Fan switch turned off	Select a fan switch position.
	Fan switch failed	Contact service center.
	Motor failed	Contact service center.
Light does not work, motor does not work	House fuses blown	Reset/Replace fuses.
	Power cord loose or disconnected	Refit cord to power outlet. Switch power outlet on.
Oil leakage	Leakage from the connection of chimney and cover	Take chimney down and seal.
Lights not working	Broken/Faulty globes	Replace globes as per this instruction.
Insufficient suction	The distance between the range hood and the gas top is too far	Refit the range hood to the correct distance.
The Range hood inclines	The fixing screw not tight enough	Tighten the hanging screw and make it horizontal.

NOTE:



Any electrical repairs to this range hood must conform to your local, state and federal laws. Please contact the service centre if in any doubt before undertaking any of the above. Always disconnect the unit from the power source when opening the unit.

MAINTENANCE AND CLEANING

Caution:

- Before maintenance or cleaning is carried out, the range hood should be disconnected from the main power supply. Ensure that the range hood is switched off at the wall socket and the plug removed.



- External surfaces are susceptible to scratches and abrasions, so please follow the cleaning instructions to ensure the best possible result is achieved without damage.

GENERAL

Cleaning and maintenance should be carried out with the range hood cold especially when cleaning. Avoid leaving alkaline or acid substances (lemon juice, vinegar etc.) on the surfaces.

STAINLESS STEEL

The stainless steel must be cleaned regularly (e.g. weekly) to ensure long life expectancy. Dry with a clean soft cloth. A specialized stainless steel cleaning fluid may be used.

NOTE:

Ensure that wiping is done along with the grain of the stainless steel to prevent any unsightly crisscross scratching patterns from appearing.

CONTROL PANEL SURFACE

The inlay control panel can be cleaned using warm soapy water. Ensure the cloth is clean and well wrung before cleaning. Use a dry soft cloth to remove any excess moisture left after cleaning.

Important

Using neutral detergents and avoid using harsh cleaning chemicals, strong household detergents or products containing abrasives, as this will affect the rangehood appearance and potentially remove any printing of artwork on the control panel and will void manufacturer's warranty.

GREASE MESH FILTERS

Immerse the filter in water at around 40-50° C, pour in cleaning agent, soaking for about 2-3 minutes, and then brush the filter with a soft brush. Do not apply too much pressure, avoid to damage it .

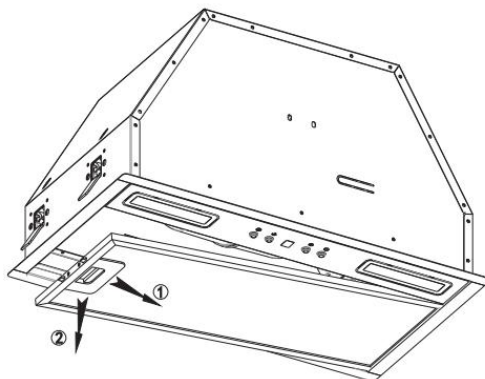
All filters are made of metal, please do not use cleaning agents that have a corrosive effect on metal products when cleaning. It is advisable not to wash filters in a dishwasher as they may discolor.



NOTE:

Please make sure the power is turned off when cleaning the rangehood.

The disassembly order of filter is shown in the figure below:



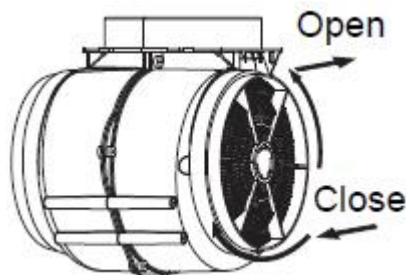
INSTALLING GREASE MESH FILTERS

- To install filters for the following four steps .
- Angle the filter into slots at the back of the hood.
- Push the button on handle of the filter.

- Release the handle once the filter fits into a resting position.
- Repeat to install all filters.

CARBON FILTER-not supplied


1. Before installing or replacing the carbon filters, disconnect the mains power to the unit.
2. Press the filter lock and remove the mesh filter.
3. Turn the carbon filter on both sides of the motor anti-clockwise. Replace the carbon filters with the new carbon filters.
4. Place the mesh filter.
5. Connect the power supply to the wall socket.



NOTE:

- Make sure the filter is securely locked. Otherwise, it would loosen and cause dangerous.
- When activated carbon filter attached, the suction power will be lowered.

BULB REPLACEMENT

<p>Important :</p> 	<ul style="list-style-type: none"> ✧ The bulb must be replaced by the manufacturer, its service agent or similarly qualified persons. ✧ Always switch off the electricity supply before carrying out any operations on the range hood. When handling bulb, make sure it is completely cool down before any direct contact to hands. ✧ When handling globes hold with a cloth or gloves to ensure perspiration does not come in contact with the globe as this can reduce the life of the globe.
--	--

Note:

- Before changing the lights, make sure that the range hood is plugged off.
- Protect against danger when changing lights, such as wearing gloves.

Changing the lights:

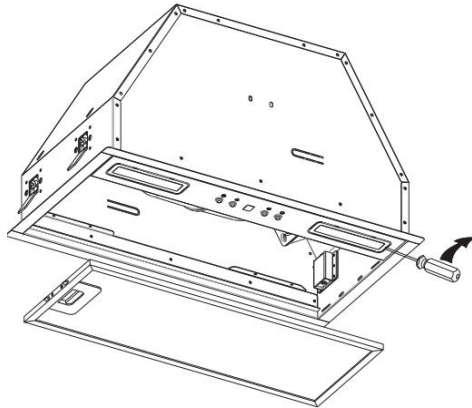
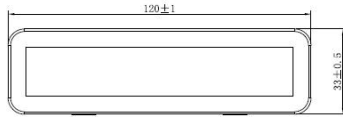
- Remove the aluminum filter, and use screwdriver to remove the LED light. See pic6.
- Unplugged the terminal of the light connecting wire, and then replace with new LED light. See pic7.
- Apply the reverse procedure to install the light back.

- ILCOS D code for this lamp is: DSS-1.5/65-S-120/33
- LED modules– rectangle lamp

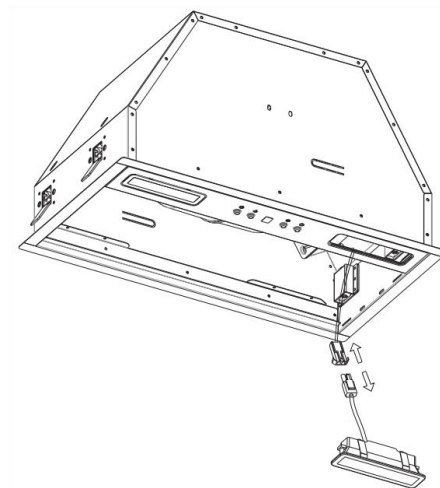
– Max wattage: 2×1.5 W

– Voltage range: DC12V

– Dimensions:




pic6



pic7

ENVIRONMENTAL PROTECTION:

	<p>This product is marked with the symbol on the selective sorting of waste electronic equipment. This means that this product must not be disposed of with household waste but must be supported by a system of selective collection in accordance with Directive 2012/19/EU. It will then be recycled or dismantled to minimize impacts on the environment, electrical and electronic products are potentially dangerous for the environment and human health due to the presence of hazardous substances. For more information, please contact your local or regional authorities.</p>
---	---

NOTE:

The following shows how to reduce total environmental impact (e.g. energy use) of the cooking process).

- (1) Install the range hood in a proper place where there is efficient ventilation.
- (2) Clean the range hood regularly so as not to block the airway.
- (3) Remember to switch off the range hood light after cooking.
- (4) Remember to switch off the range hood after cooking.

INFORMATION FOR DISMANTLING

Do not dismantle the range hood in a way which is not shown in the user manual. The range hood could not be dismantled by user. At the end of life, the range hood should not be disposed of with household waste. Check with you Local Authority or retainer for recycling advice.

AWARD APPLIANCES (NZ) LTD

WARRANTY STATEMENT

Please complete the following details when you unpack the product and retain this card with the purchase invoice or sales docket. Verification of the date of purchase will be required should service under the warranty be sought.

Model Number
Date of Purchase
Retailers / Dealers Name

WARRANTY

This product is covered by a Warranty in addition to all rights available to you by statute. The Warranty is for a period of **twenty-four (24) months** from the date of purchase, subject to the conditions below. Registering your appliance online at www.awardappliances.co.nz will qualify your purchase for an **additional twelve (12) months warranty cover on parts only**.

The Warranty covers rectifications of faults arising from defective materials, components, faulty workmanship or assembly. The product will be repaired or replaced at the sole discretion of Award Appliances (NZ) Ltd.

Conditions of Warranty:

1. The purchaser/installer carefully follows the installation instructions provided and complies with electrical, gas, plumbing, building and other regulations and codes of practice in New Zealand;
2. That the purchaser carefully follows the instructions provided in the owner's handbook relating to the proper use and care of the product;
3. The product is not used for any purpose other than the domestic use for which it has been designed. Use for commercial purposes or any application outside of a residential dwelling, shall reduce the warranty period to three (3) months from date of purchase.
4. That the product was purchased and installed in the North or South Islands of New Zealand

This Warranty does not extend to:

- (a) Lamps/LED; blockages/restrictions, incorrect detergents, incorrect or poor installations, incorrect use.
- (b) Back feeding from waste disposal units, vermin/insect damage or transit protection left installed.
- (c) Damage to surface coatings caused by cleaning or maintenance using products not recommended by the manufacturer; tin foil on oven base, leaving a baking sheet or tray on oven base.
- (d) Defects caused by normal wear and tear, accident, negligence, alteration or misuse.
- (e) Damage caused by spill-overs, lack of maintenance, or impact.
- (f) Any damage of fault arising from installation of the product.
- (g) A product dismantled, repaired or serviced by any person other than an authorised employee or service agent as appointed by Award Appliances (NZ) Ltd.
- (h) Any additional travelling costs beyond 30km from an appointed service agent.

If you are unable to establish the date of purchase, or the fault is not covered by this Warranty, or if the product is found to be in working order, you will be required to bear all service charges. Please present this notice to the service person, together with proof of purchase. The warranty is non-transferable.

For service please telephone (03) 348 0556

AWARD APPLIANCES (NZ) Ltd
382 Blenheim Road CHRISTCHURCH
Telephone: (03) 348 0556 Email: service@award.co.nz
www.awardappliances.co.nz